

EL[®]MARK

The Brand of Electricity

GLOBE 250 GARDEN LED FIXTURES



GENERAL INFORMATION »

- ∴ Rated voltage: 230V/ 50-60Hz
- ∴ Power: 6W, 2x6W
- ∴ Colour temperature: 4000K
- ∴ Lamp holder: E27, 2xE27
- ∴ Lamp included
- ∴ Colour: Black
- ∴ Lantern body: Resin with clear glass
- ∴ UV resistant
- ∴ Insulation class II
- ∴ Protection rating: IP55

FEATURES »

- ∴ PMMA globe, complete with classic globe base
- ∴ Made of shockproof resin material
- ∴ UV-rays stabilized, rust and corrosion-free.
- ∴ Suitable for ground mounting installation.

AREAS OF APPLICATION »

- ∴ Suitable for outdoor use
- ∴ Gardens
- ∴ Parks

TECHNICAL SPECIFICATION SHEET

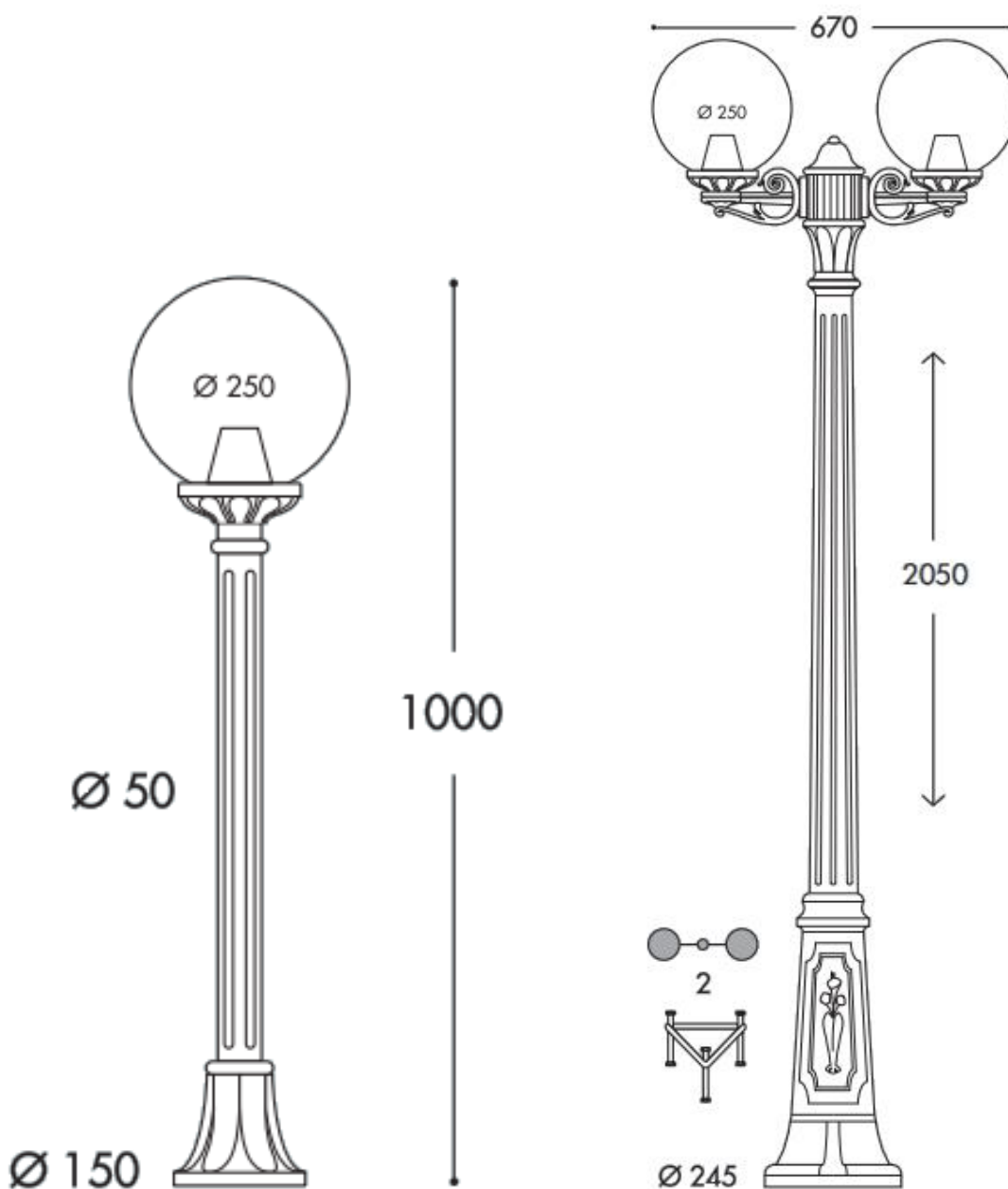
PRODUCT DETAILS »

Catalogue number	Watt (W)	Whole fixture lumens (lm)	Colour temp. (K)	Colour	Lampholder
96G250M/BL	6	800	4000	Black	1xE27
96G250GB2L/BL	2x6	1600	4000	Black	2xE27


DIMENSIONS »


96G250M/BL

96G250GB2L/BL

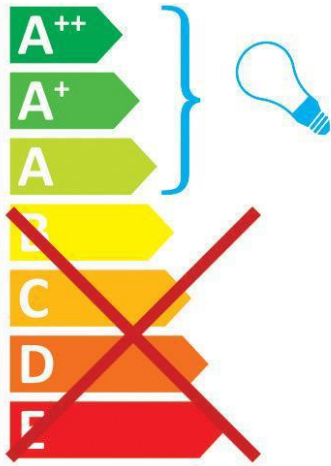


ADDITIONAL INFORMATION »



96G250M/BL




This luminaire is compatible with bulbs of the energy classes:



The luminaire is sold with a bulb of the energy class:



874/2012


Catalogue number	Barcode	Packing/Box (pcs)
96G250M/BL	8031874193972	1
96G250GB2L/BL	8031874194214	1

